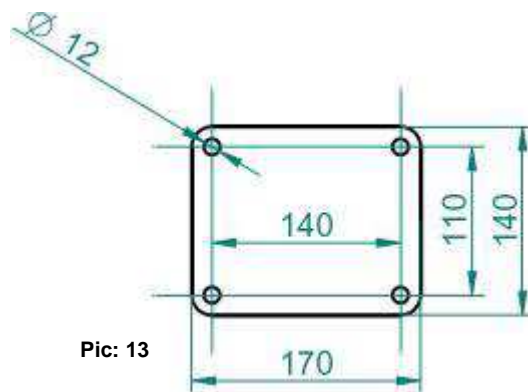


## 8 Technical data

Name:	WD 40 M2
Tank volume:	40 litres
Weight:	18 kg
Measurements (H x W X D):	600 x 450 x 600 mm
Max. scatter width:	6 m
Recommended scatter width:	5 m
Min. output quantity:	1,48 kg Salt per minute
Max. output quantity:	7,49 kg Salt per minute
Power supply:	12V, 30A
Motor data (power):	130 Watt, max. 300 Watt
Motor power consumption:	30 Ampere at startup, 25 Ampere during normal operation
Maximum speed:	max. 1300 - 1500 min <sup>-1</sup>
Attachment category:	Cat. II

Lochbild der Kontraplatte:



The footprint must be a minimum of 140 x 170 mm!